

For Product Step File or 3D Model Send a Request Mail To info@nrack.com

IP 65



Key Locks

Photo View



Panel Locks

Plane Locks

3Point Locks  
(Round & Flat)Handle &  
Knobs

Hinges

Airvents

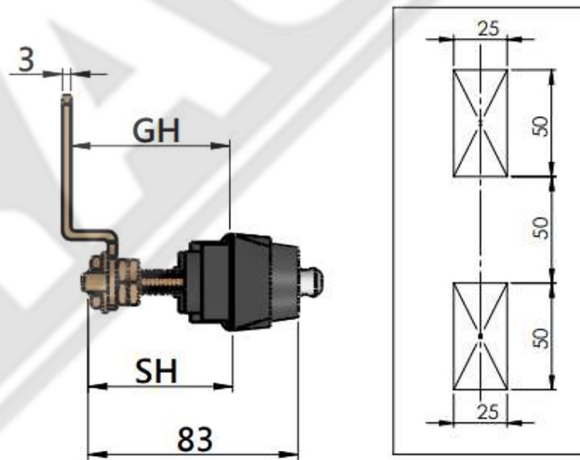
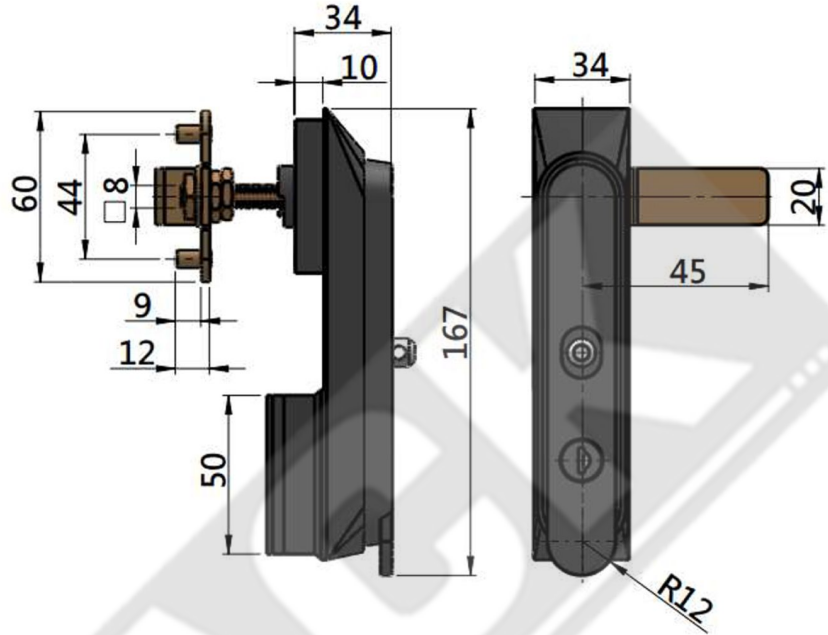
Gasketing

Canopy Locks

Other  
Accessories

Stainless Steel

3D Rendered View



PANEL CUTOUT

## MS 100-3RP

- Material: Polymide Body, Steel-Cam

PART NO.	GRIPPING HEIGHT	STUD HEIGHT
MS-100-3R-L1	35mm	14.3mm
MS-100-3R-L2	42 - 56 mm	43mm
MS-100-3R-L3	75mm	68mm